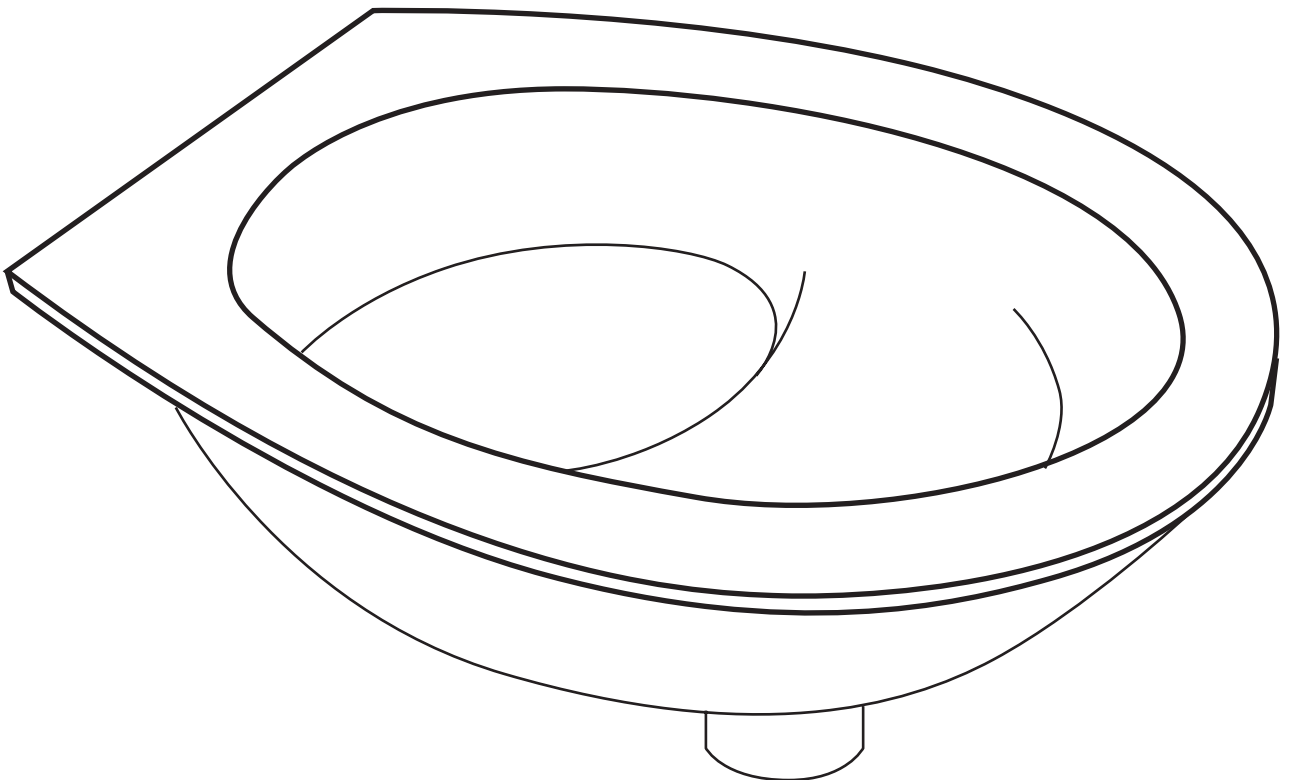
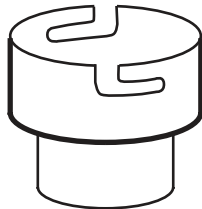




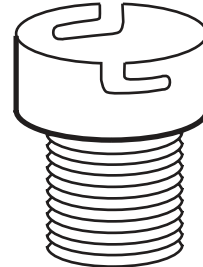
# TROBOLO®



U6AXX1360



U6BXX1361



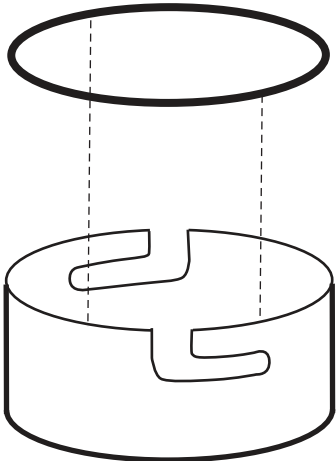
U6CXX1362

MAN.HTU6XX1366.1

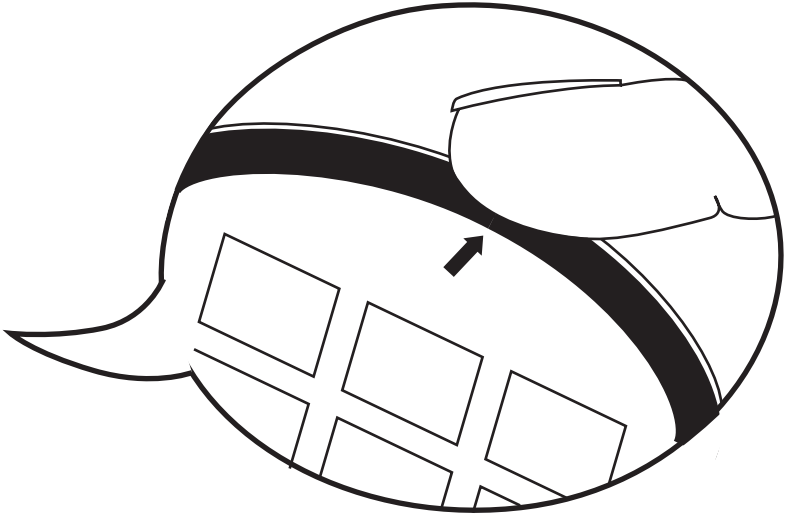
# Adapter installation

Adapter-Montage / Installation adaptateur

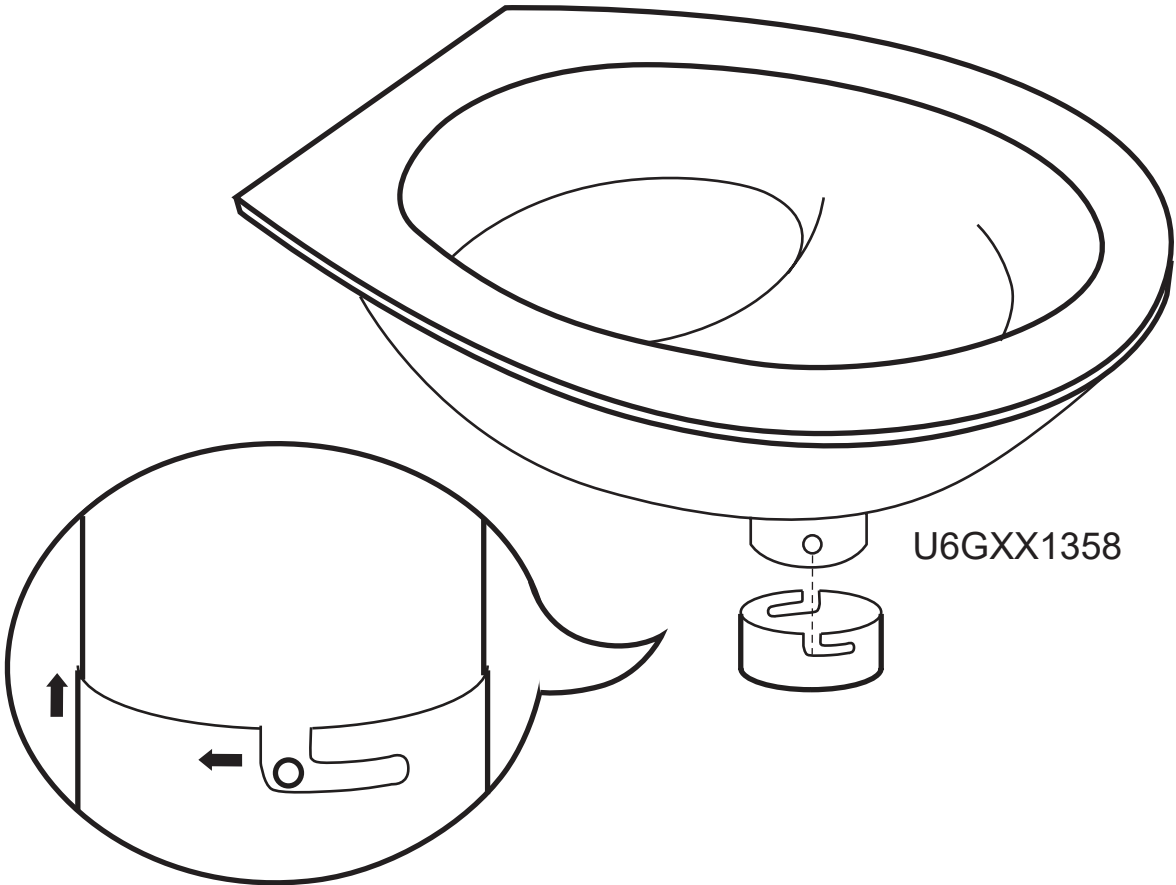
1



U6AXX1360

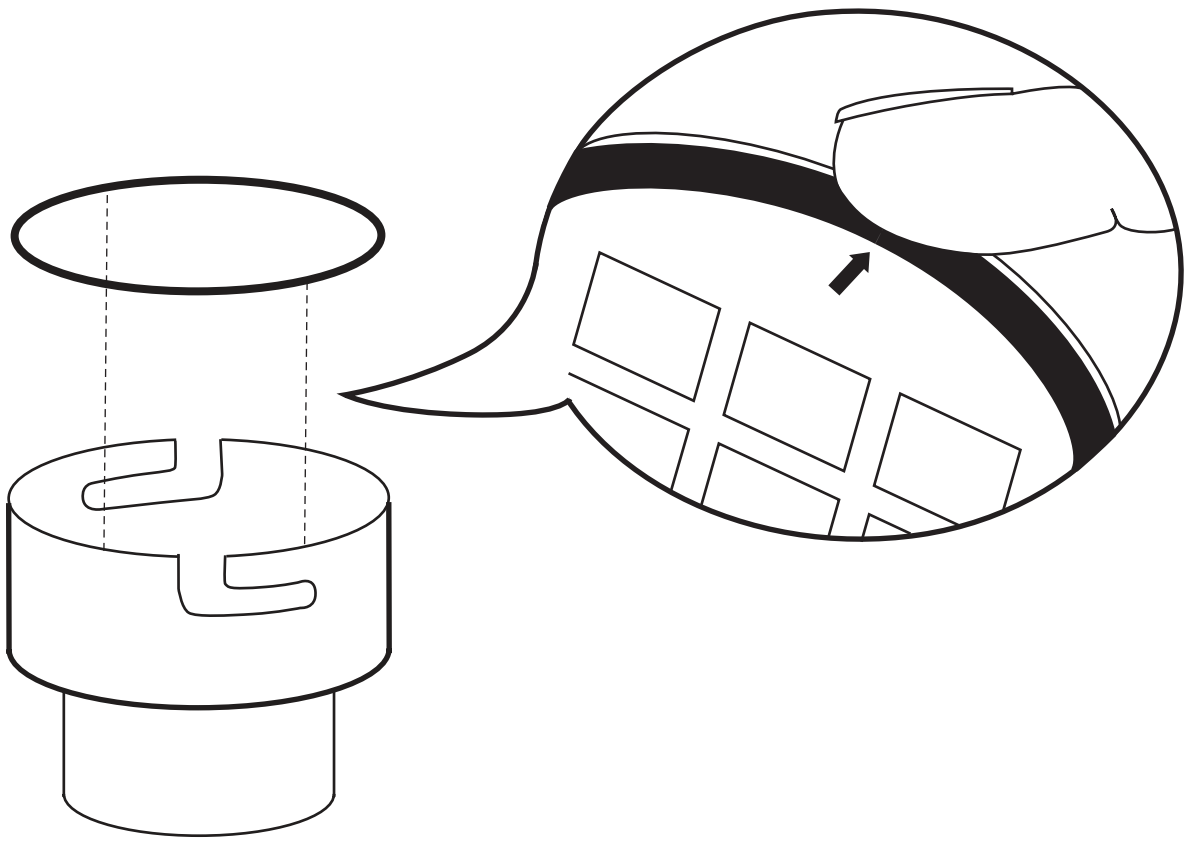


2



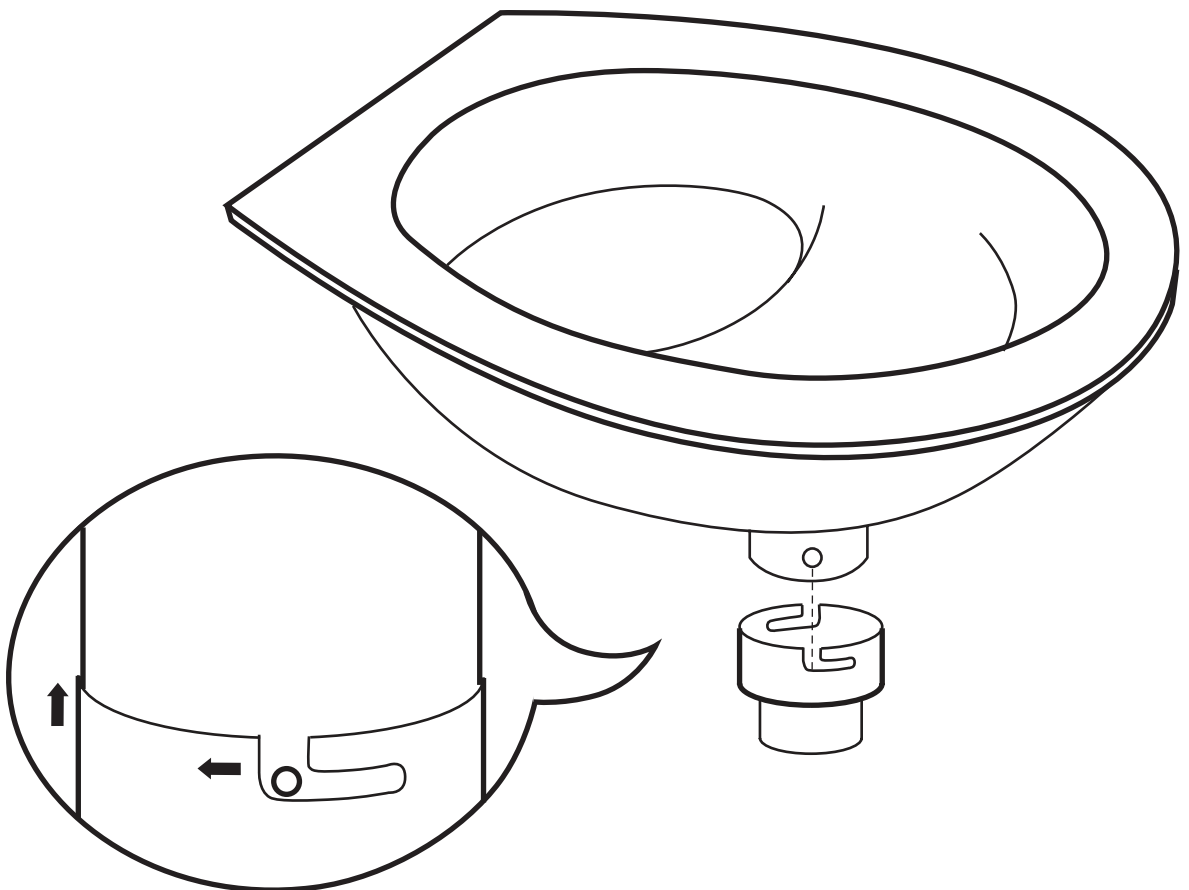
U6GXX1358

**1**

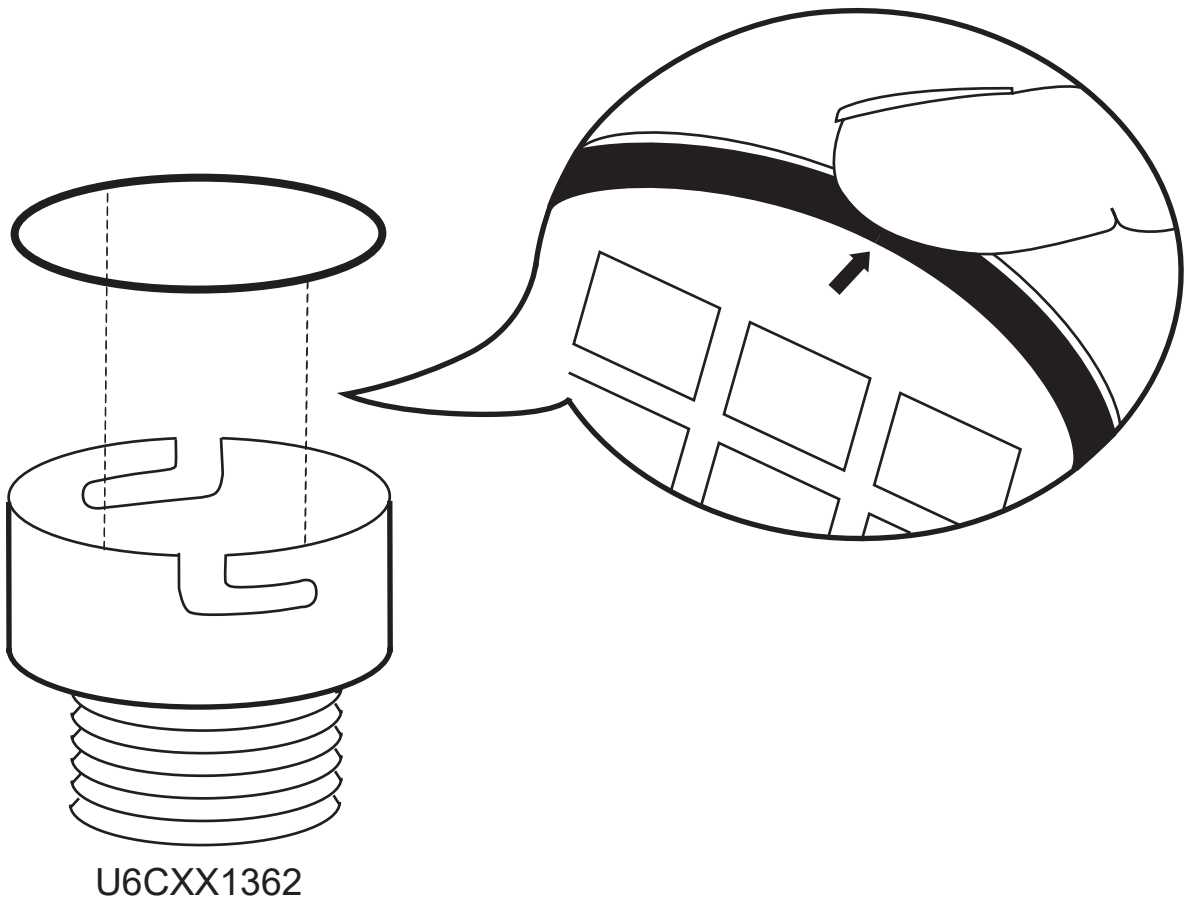


U6BXX1361

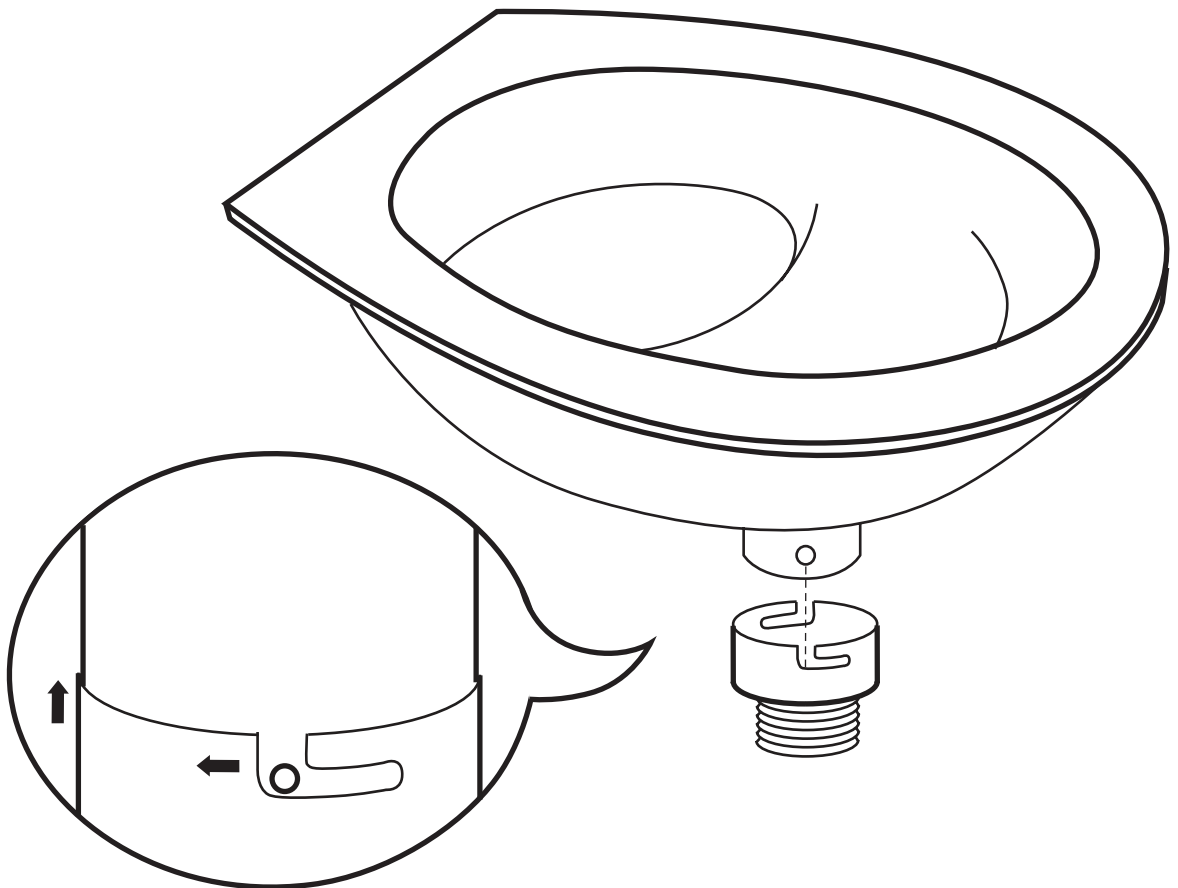
**2**



**1**



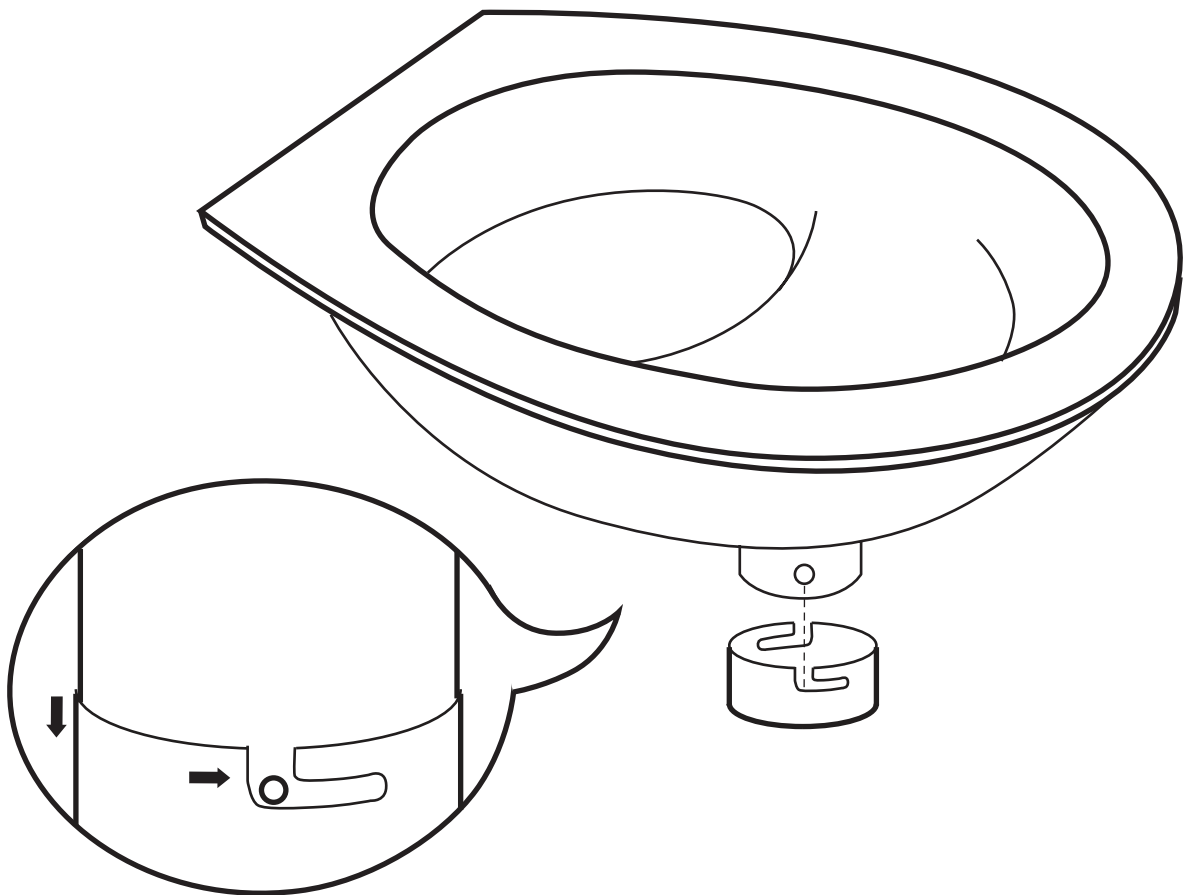
**2**



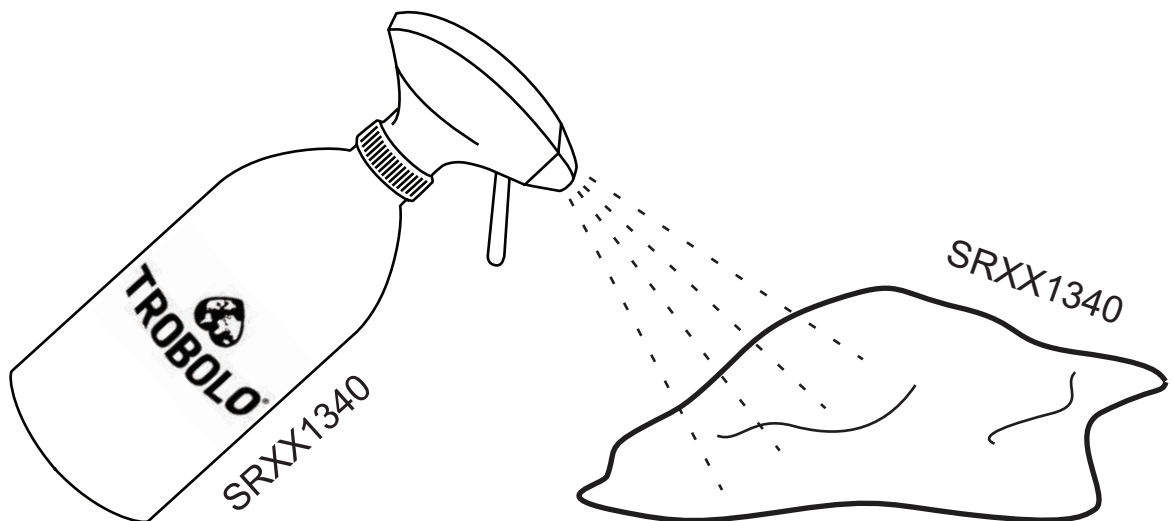
# Cleaning

Reinigung / Nettoyage

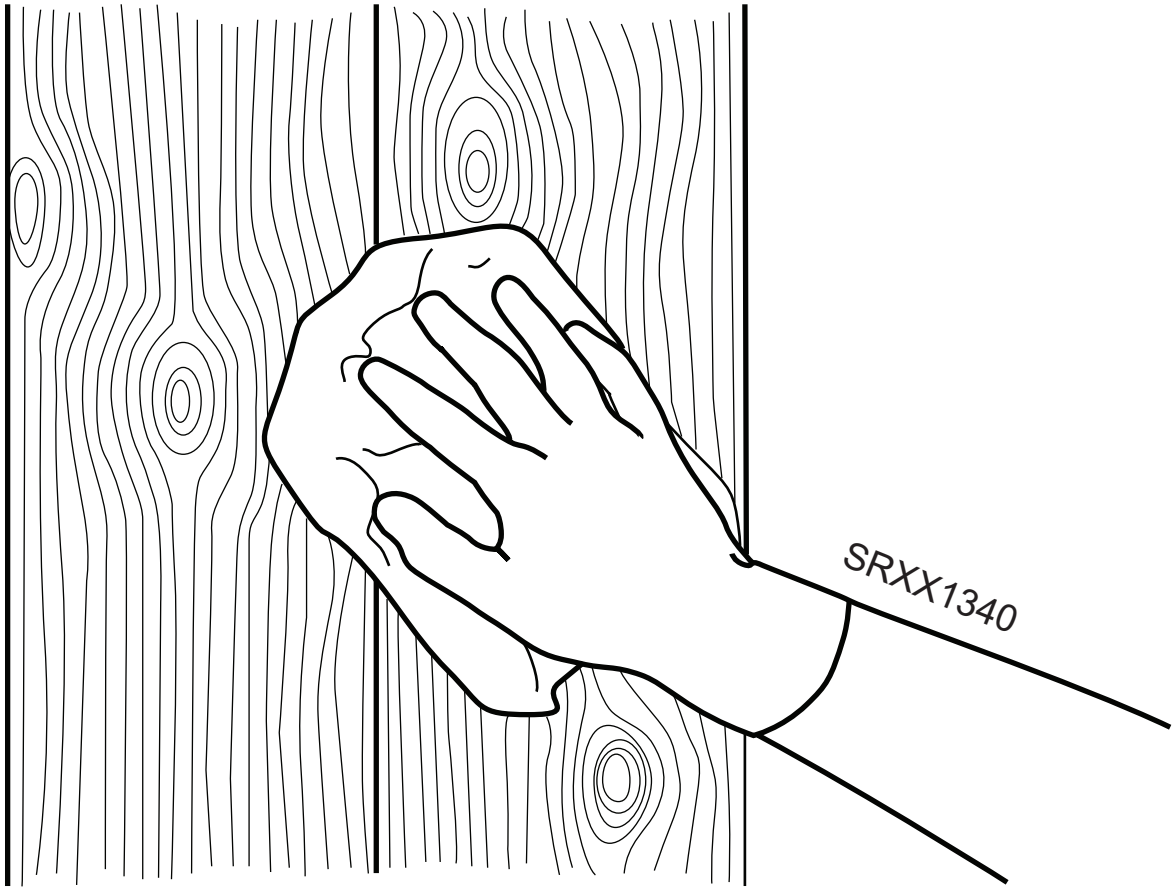
1



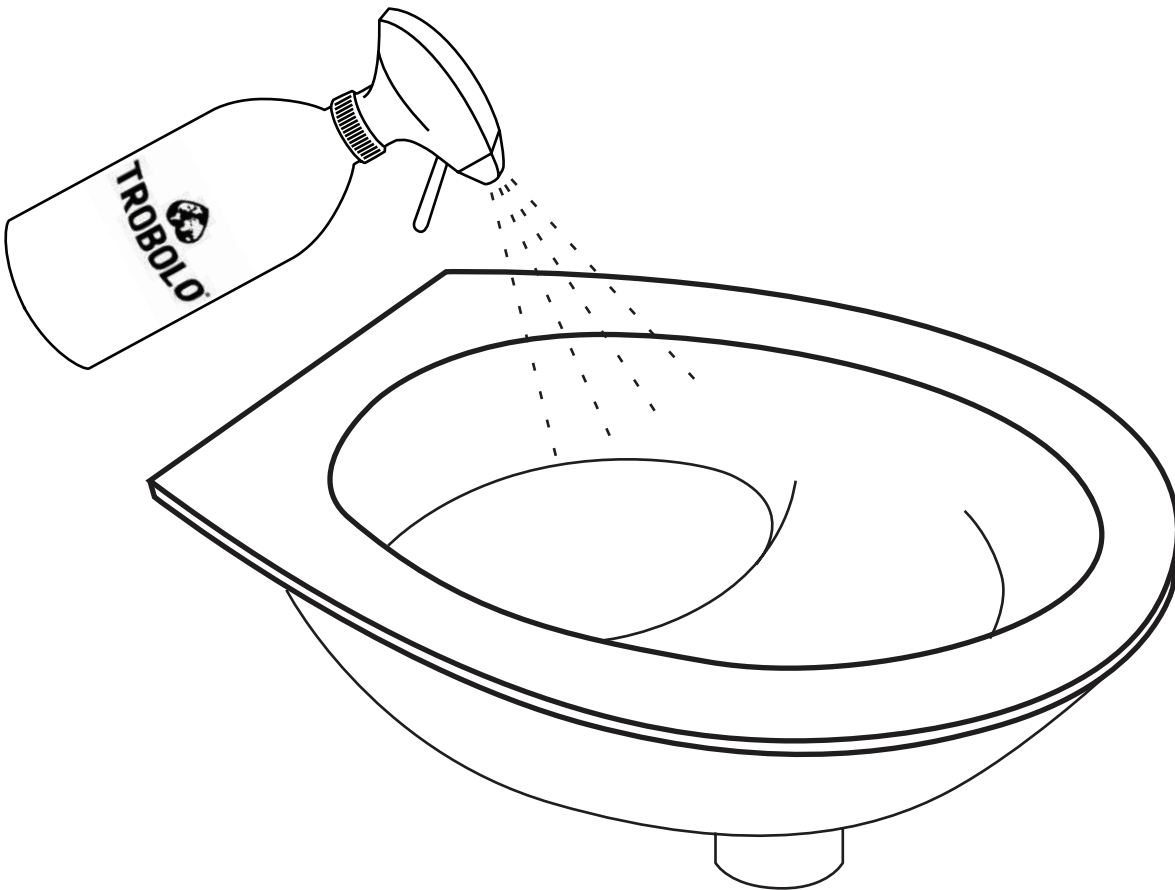
2



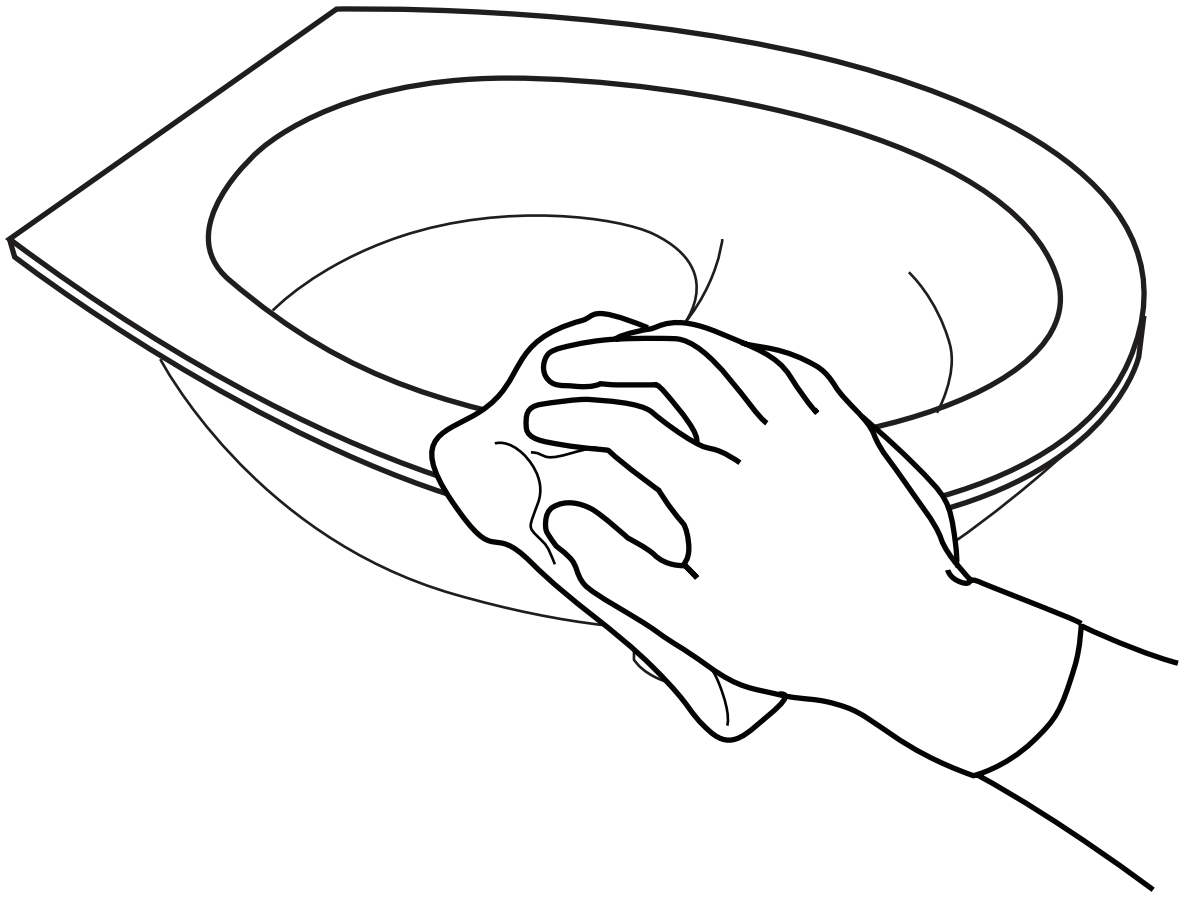
3



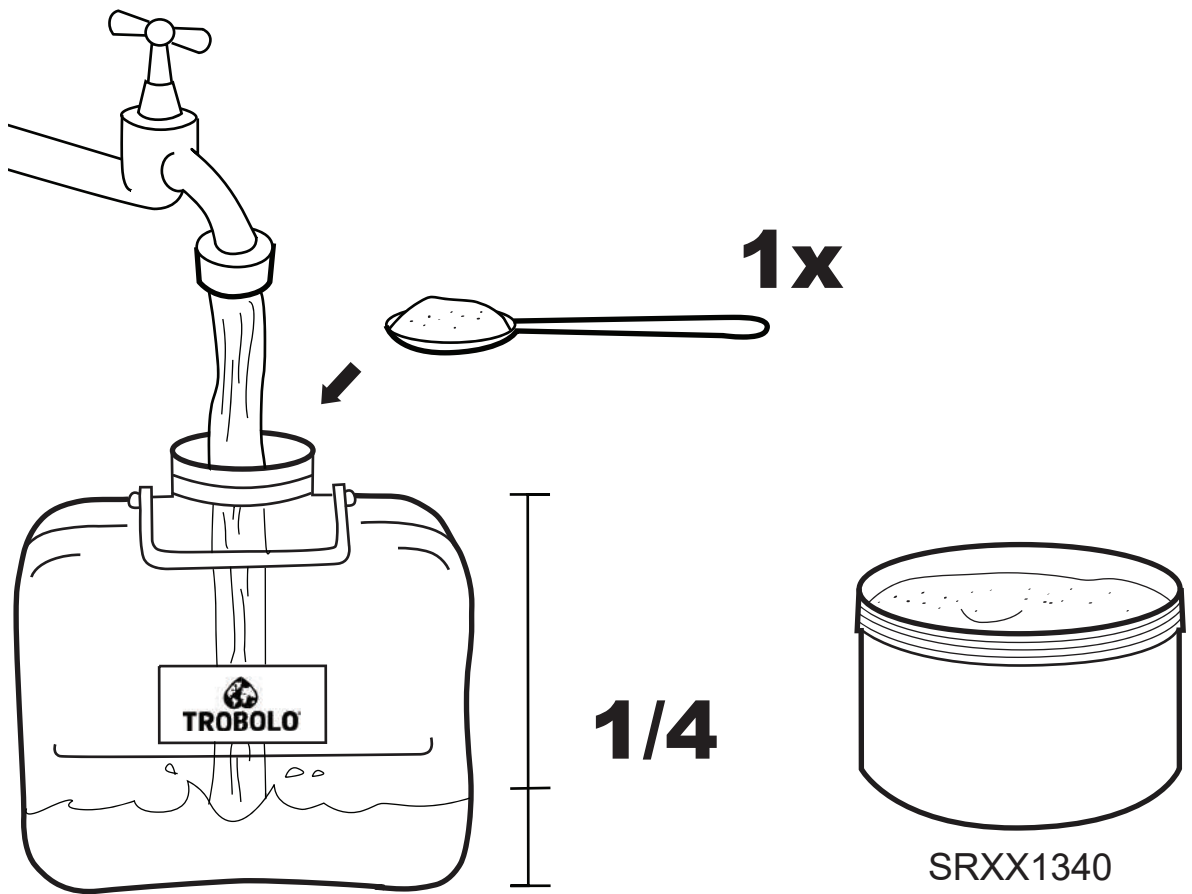
4



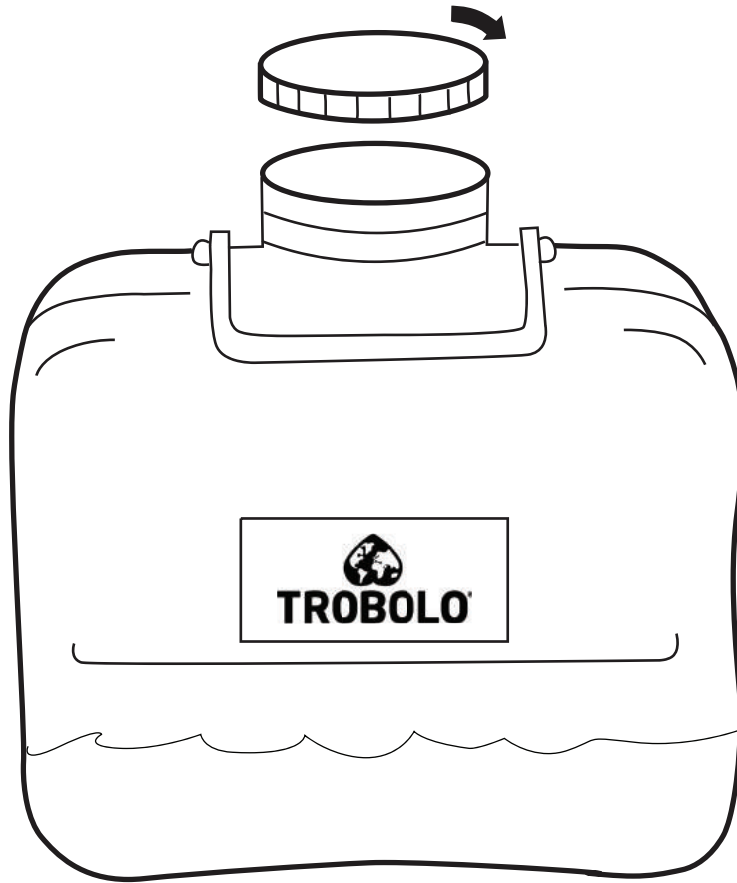
**5**



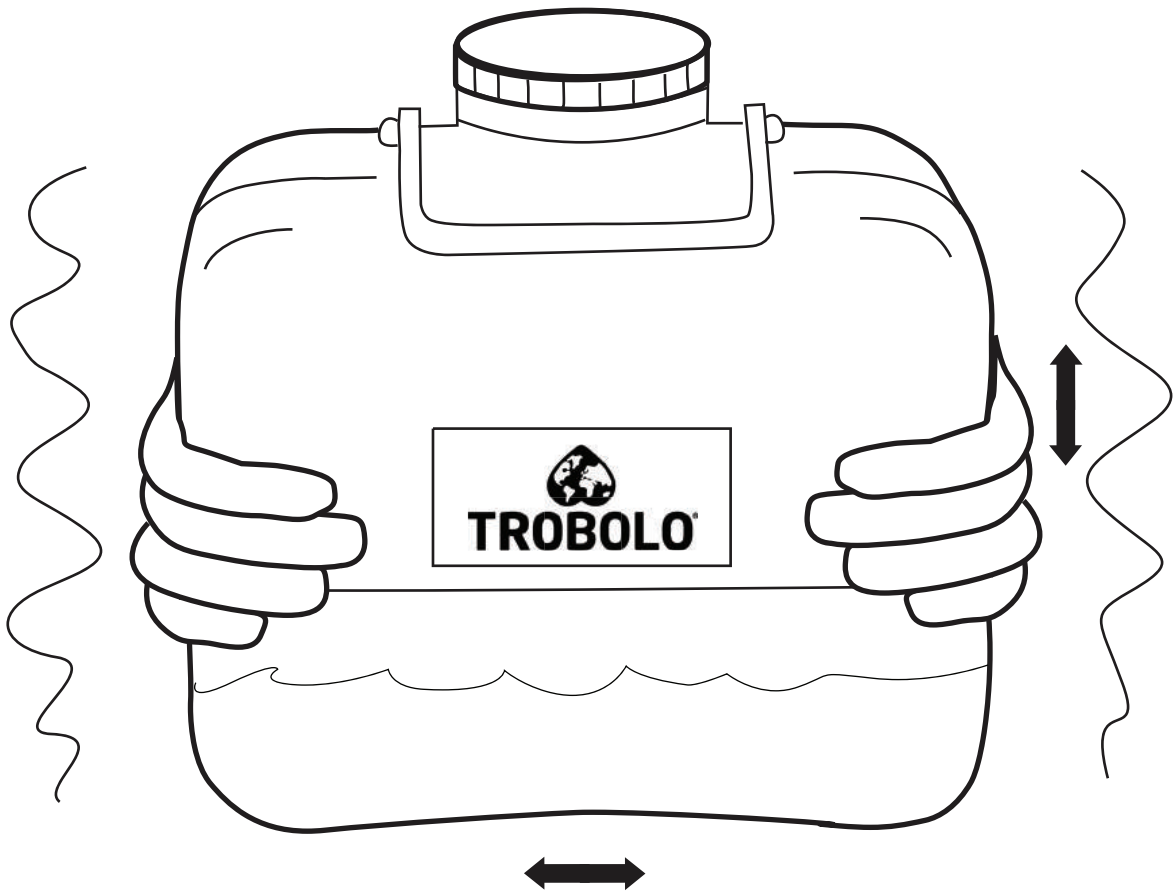
**6**



7

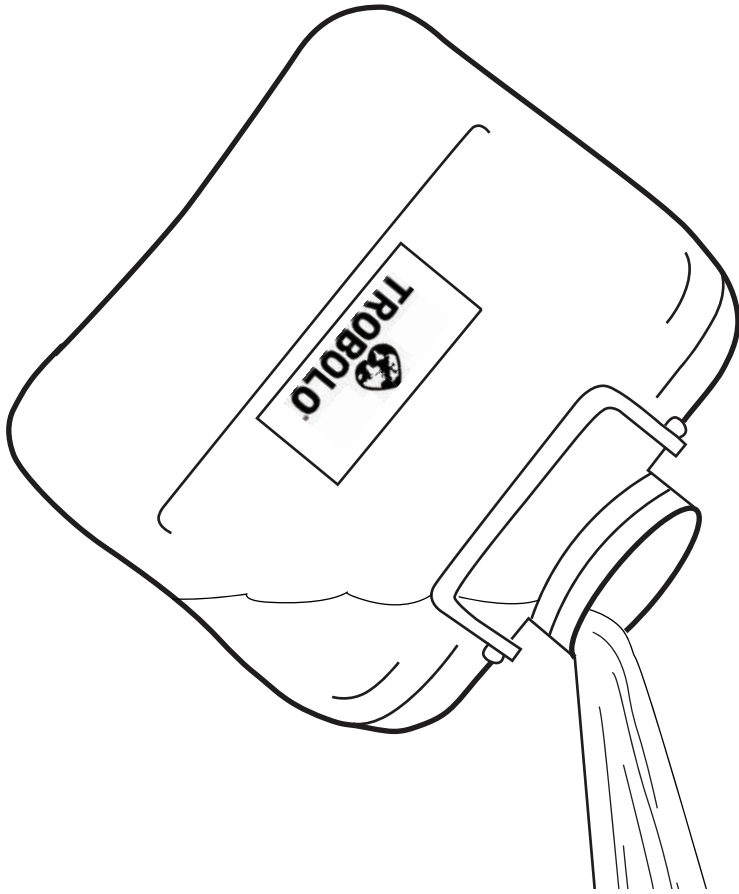


8

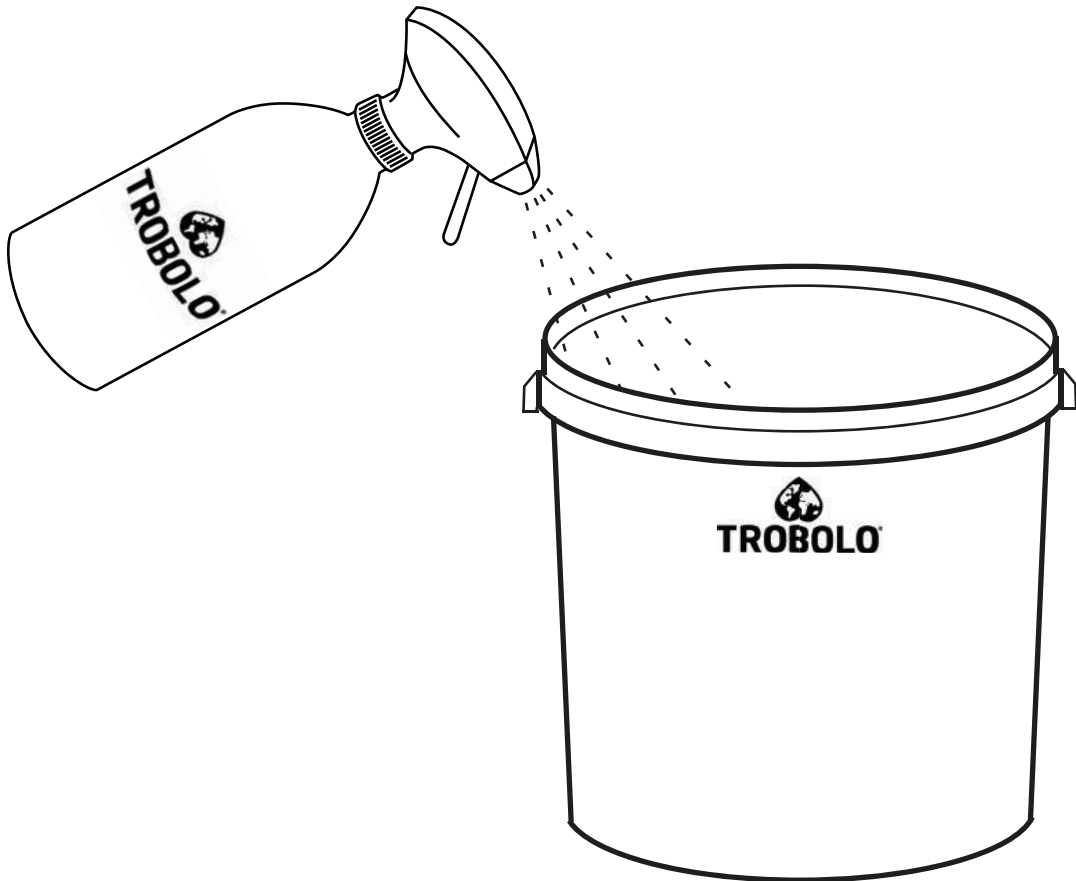




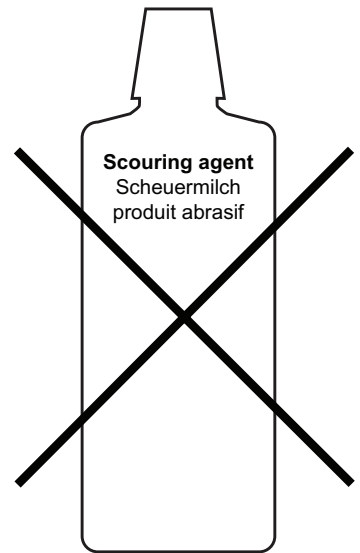
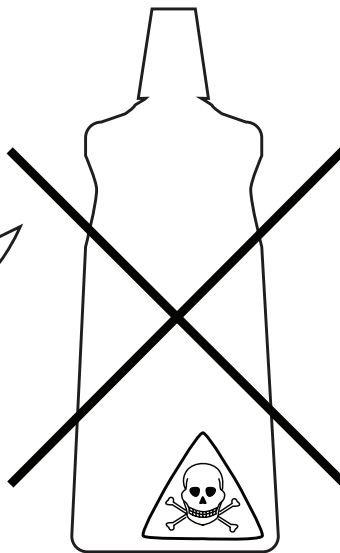
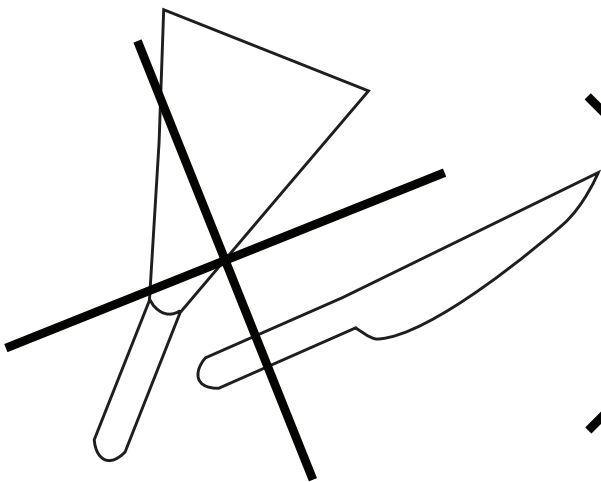
9



10

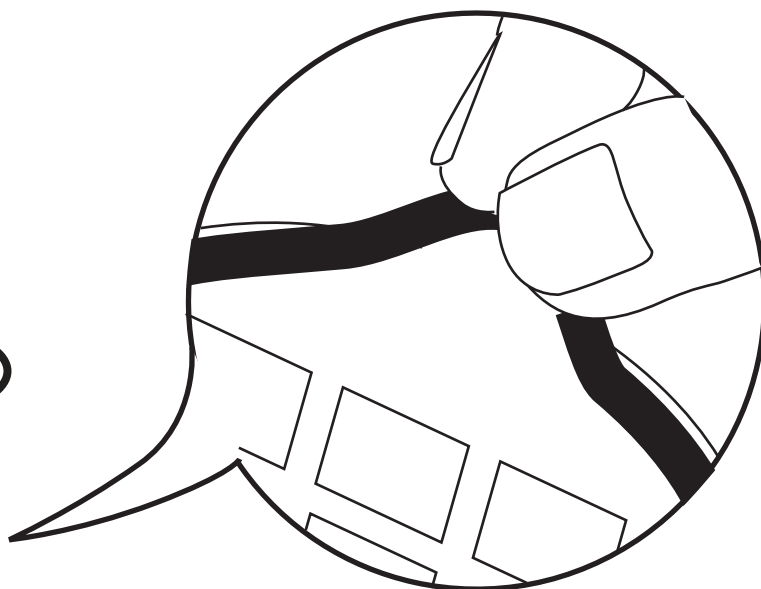
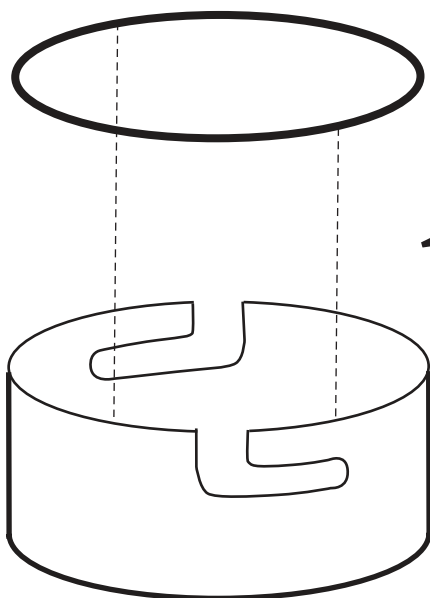
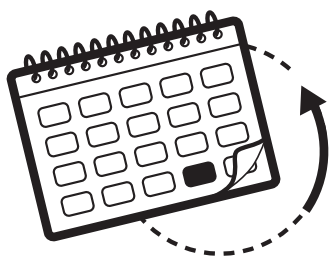


11



# Replacement of the seal

Austausch der Dichtung / Remplacement du joint en caoutchouc



U6AXX1360

U6BXX1361

U6CXX1362



**TROBOLO®**

Designed in Germany.  
Manufactured in Europe.

[www.trobolo.com](http://www.trobolo.com)